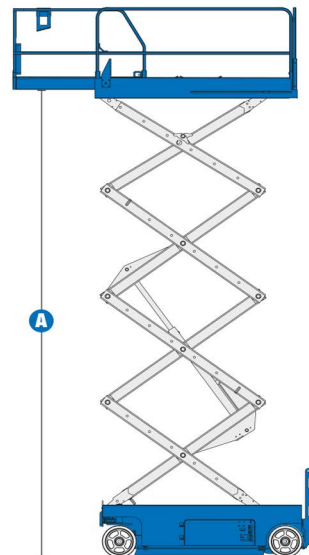
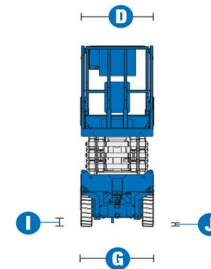
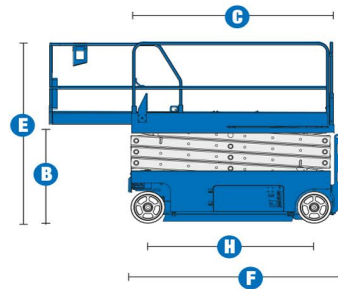


SELF-PROPELLED SCISSOR LIFTS GS™-2032



Specifications

MODELS		GS™-2032	
MEASUREMENTS	Metric	US	
Working height maximum*	8.10 m	26 ft	
A Platform height maximum	6.10 m	20 ft	
B Platform height stowed	1.03 m	3 ft 4.5 in	
C Platform length - outside	2.26 m	7 ft 5 in	
extended	3.18 m	10 ft 5 in	
Slide-out platform extension deck	91 cm	3 ft	
D Platform width - outside	81 cm	2 ft 8 in	
Guardrail height: Rigid Rail	99 cm	3 ft 3 in	
Fold Down Rail	1.10 m	3 ft 7 in	
Toeboard height	15 cm	6 in	
E Height - stowed			
fixed rails	2.13 m	7 ft	
folding guardrails	2.13 m	7 ft	
rails folded	1.75 m	5 ft 9 in	
F Length - stowed	2.44 m	8 ft	
Length - extended	3.33 m	10 ft 11 in	
G Width	81 cm	2 ft 8 in	
H Wheelbase	1.85 m	6 ft 1 in	
I Ground clearance - centre	9 cm	3.5 in	
J - with pothole guards deployed	2 cm	.75 in	



PRODUCTIVITY

Max platform occupancy (indoor/outdoor)	2/1	2/1
Lift capacity	363 kg	800 lbs
Drive height	full height	
Drive speed - stowed	3.5 km/h	2.2 mph
Drive speed - raised	0.8 km/h	0.5 mph
Gradeability - stowed**	30%	
Max outrigger levelling: front to back	-	-
side to side	-	-
Turning radius - inside	zero	zero
Turning radius - outside	2.13 m	7 ft
Raise / lower speed	30 / 34 sec	30 / 34 sec
Controls	proportional	
Drive	dual front wheel	
Multiple disc brakes	dual rear wheel	
Tyres - solid non-marking	38 x 13 x 28 cm	15 x 5 x 11 in

POWER

Power source	24 V DC (four 6V 225 Ah batteries)	
Hydraulic system capacity	14.2 L	3.75 gal

WEIGHT***

	1,825 kg	4,024 lbs
--	----------	-----------

STANDARDS COMPLIANCE

CE EN280

* The metric equivalent of working height adds 2 m to platform height. U.S. adds 6 ft to platform height.

** Gradeability applies to driving on slopes. See operator's manual for details regarding slope ratings.

*** Weight will vary depending on options and/or country standards.